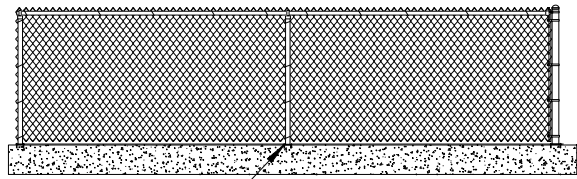
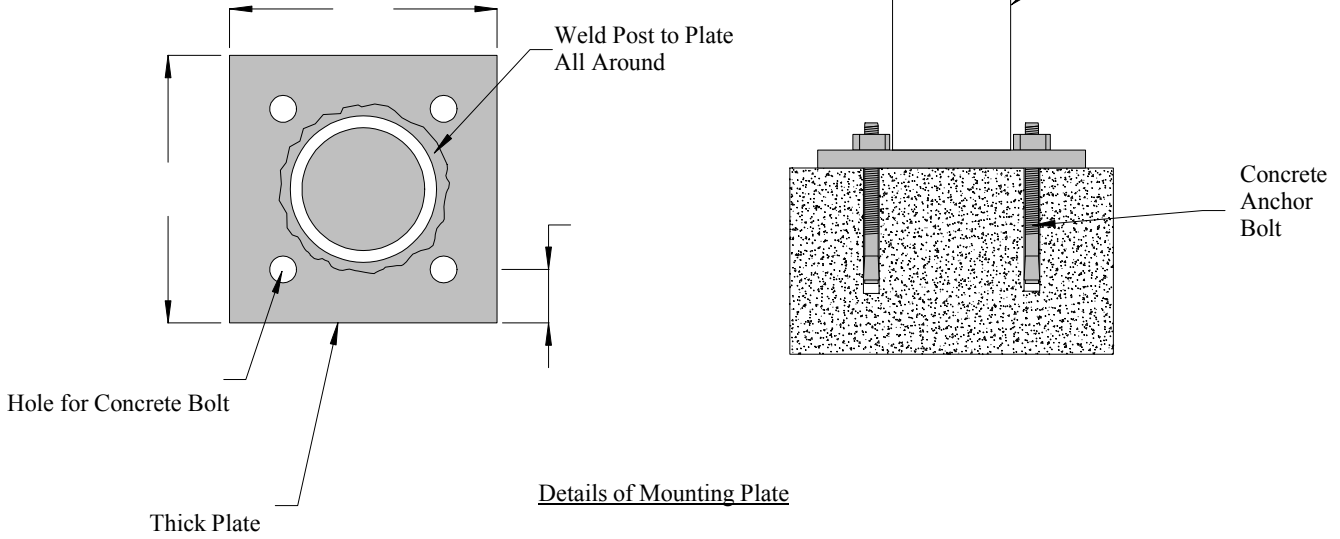


# Plate Mount Detail



See Detail Below  
Typical Fence Elevation



Project:	
Site Location:	Date:
Submitted by:	Drawing # <b>CL-21</b>